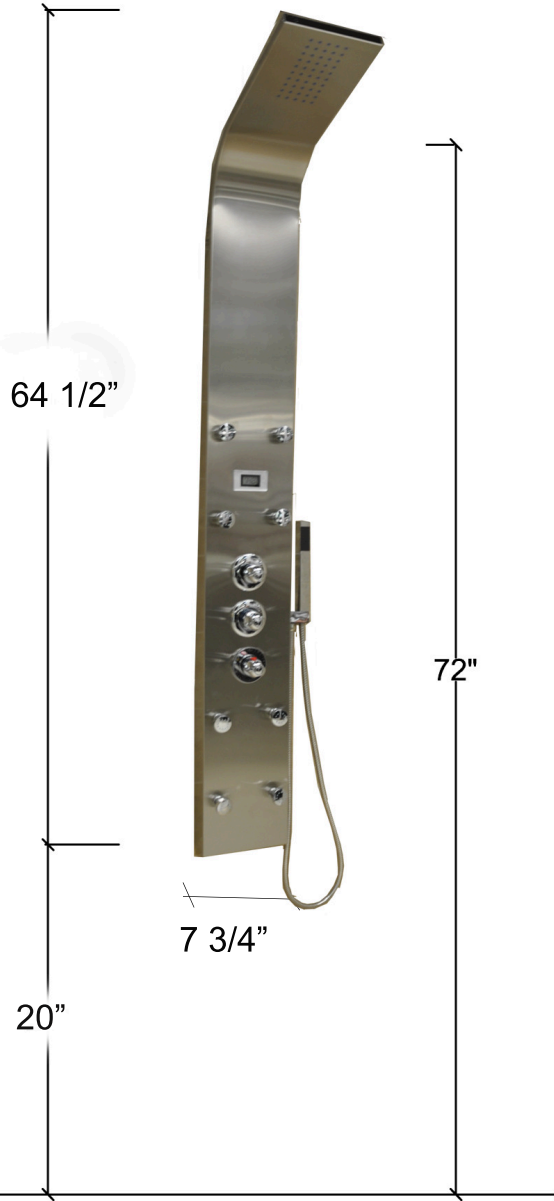
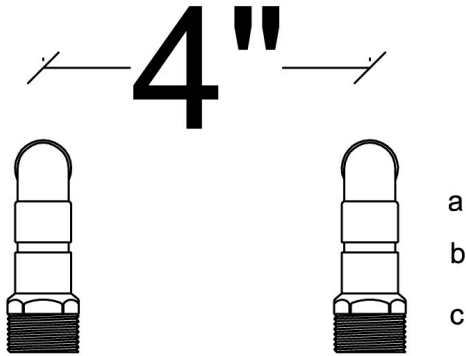


Panel Overall Dimensions



Suggested Fitting Layout



1. The arrangement above shows:
 - a. 5/8" ID 90
 - b. 5/8" OD Straight (cut as union)
 - c. 5/8" X 1/2" Male Pipe Thread
2. Your plumber may choose a different arrangement.
3. Hose attachments should be parallel with the wall for best hose fit.
4. Fittings may point up or down depending on the location relative to the mixer.

12" Valve height

